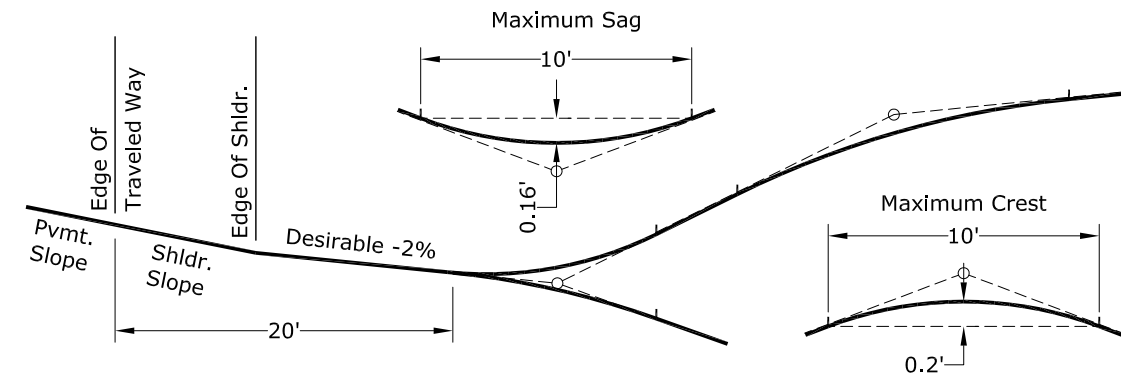


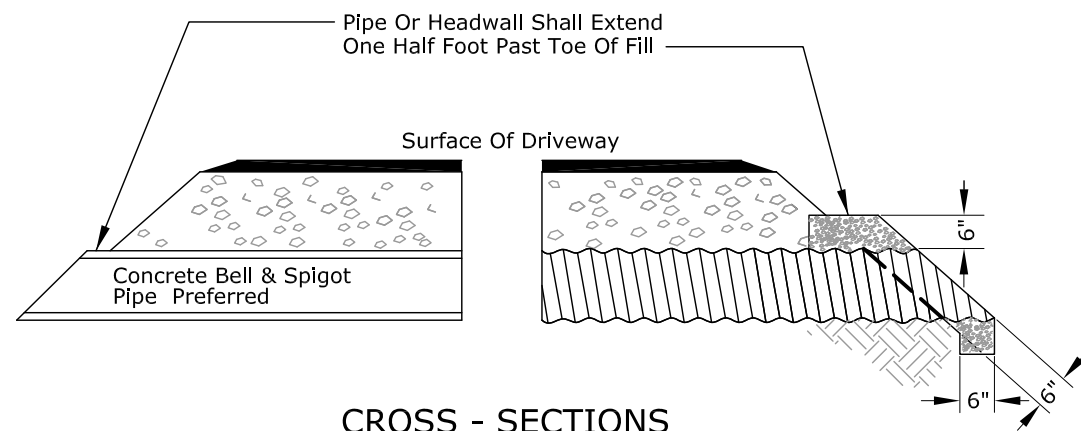
- Notes:
1. See Detail Drawing 1080 For Alternatives.
 2. For Structural Section See Drawing 1083.

PROFILE

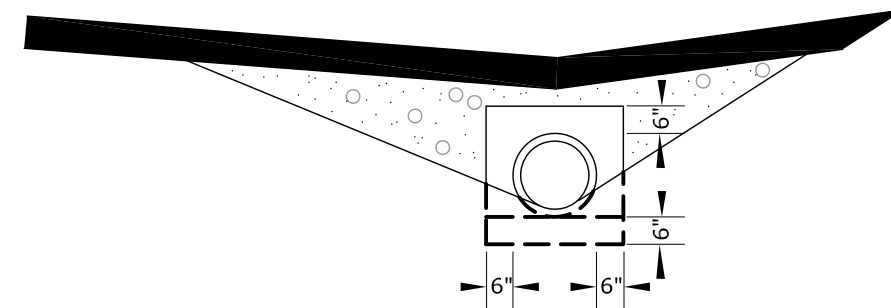


APPROACH PROFILE

NOTE:
 When grades on approaches meet without vertical curves the maximum algebraic difference on crests should be 8% and on sags 12%. Grades steeper than 15% should not be used without prior approval of the County Engineer. Any driveways with slopes exceeding 12% shall be paved.



CROSS - SECTIONS



END VIEW OF HEADWALL

Notes:

1. Pipe Size Is To Be Determined Per Hydraulics Study. Minimum Pipe Inner Diameter is 12".
2. For Pipe Materials, See Drawing 1082.
3. Pipe To Be Laid At The Grade Of The Ditch - No Slumps. Ditch May Require Regrading To Maintain Positive Drainage.
4. Fill Slopes and Culvert End Bevels Shall Be Per Tables On Drawing 1082.
5. Metal Pipe Requires Coating Where Contact With Concrete May Occur At Headwalls.
6. Shoulder And Approach Shall Be Graded To Drain Runoff To The Ditch.
7. Headwall Concrete Shall Be Oregon Standard Commercial Grade Concrete Per Section 00440.

WASHINGTON COUNTY DEPARTMENT OF LAND USE & TRANSPORTATION ENGINEERING SECTION	DRIVEWAY FOR UNCURBED ROADS CROSS-SECTION AND PROFILES	WASH. CO. # 1081
	EFFECTIVE DATE: 8/01/2018	PLOT STAMP: 07/23/18 4:24P ANTHONYD CAD: 1081.DWG

